

ELOTENE DS

Waterproofing
Membranes

Self-Adhesive Bituminous Membrane
Total Vapour Barrier for Roof Application.

DESCRIPTION

Elotene DS is a self-adhesive bituminous waterproofing membrane that forms a total barrier against water vapour. It consists of a self-adhesive and self-sealing bituminous compound with a reinforced aluminium film on the surface. The polyester reinforced aluminium makes the membrane resistant to work site traffic.

The product is not affected at all by ageing and is compatible with most of construction and industrial materials. Elotene DS is suitable for all Roof Applications.

CHARACTERISTICS

- Protected by reinforced aluminium film
- Total Vapour Barrier
- Waterproof and Self-Adhesive
- Self-sealing
- Cold applied without use of flames

USES

- Total Vapour Barrier for composite multilayer insulation systems.

DIMENSIONS AND PACKAGING

Standard Length: 25 m *;

Standard Thickness: 1.2 mm *;

Standard Width: 1000 mm *.

Other lengths and thicknesses are available on request.

The rolls are packed individually in cardboard boxes and placed on pallets.

SURFACE PREPARATION

All surfaces on which Elotene Waterproofing membranes have to be installed must be dry, clean, smooth and free of impurities.

If the surface is porous, apply a coat of Primer in a quantity of 75 - 150 g/sqm.

The use of Primer is in any case advisable, and the manufacturers instructions must be followed.

A wrong use of Primer can influence the membrane efficiency.



CHARACTERISTICS	VALUES	TEST
Thickness	1.2 mm *	EN 1849-1
Tensile Strength	Long. 180 N/50 mm Trans. 190 N/50 mm	EN 12311-1
Elongation at Break	Long. 20 % Trans. 30 %	EN 12311-1
Static Load Resistance	Met. A 15 Kg Met. B 20 Kg	EN 12730
Tear Resistance	Long. 45 N Trans. 40 N	EN 12310-1
Peel Resistance of Joints	20 N/50 mm	EN 12316-1
Shear Resistance of Joints	Long. 190 N/50 mm Trans. 210 N/50 mm	EN 12317-1
Impermeability	Pass (≥ 60 Kpa)	EN 1928
Water Vapour Impermeability	Pass (Sd ≥ 1500 m)	ISO EN 12572
Application Temperature	+ 5 °C / + 45 °C	-
Service Temperature	- 40 °C / + 80 °C	-

TEST

Complying with EN 13970 type A e T

Classification for transport: Not Applicable

Inflammability classification: B2 (DIN 4102)

Reaction to fire: E (EN 11925 - 2; EN 13501 - 1)

Total Volatile Organic Compound emissions (TVOC): 8 µg/m³ Tested by eco-INSTITUTE, following SINTEF standard, ISO 16000-6

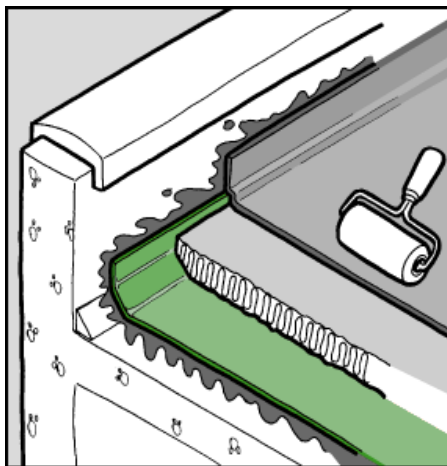


Fig. 2 - Multi-ply insulation systems

APPLICATION

The membrane must be applied perpendicular to slope.
 The membrane must be overlapped at the edge by at least 5-8 cm and on the top by at least 15 cm.
 After installation, press the membrane well, being very careful about details such as corners, edges, connections and overlaps.

STORAGE

The quality and the characteristics of the materials remain unaltered for a long period of time.
 However, it is recommended to use the product within 12 months from production date.
 The product must be stored in the original and unopened packaging in a dry and well ventilated place at a temperature between + 5 °C and + 40 °C.
 Storage above 50 °C may lead to difficulties in removing the release liner when applying.
 The product is not affected by frost.



The Technical data sheet of CE conformity is available



THE MATERIALS ARE NOT HAZARDOUS FOR NORMAL USES AND WHEN USED BY SKILLED PERSONS, IN PARTICULAR CONDITIONS, IT IS POSSIBLE TO CUT OR INJURE ONESELF. KEEP OUT OF REACH OF CHILDREN. FOR FURTHER INFORMATION REFER TO THE SAFETY DATA SHEET. THE MANUFACTURER LIMITS HIS LIABILITY TO THE USES AND APPLICATIONS DESCRIBED IN THIS DOCUMENT. BITUMEN AND BUTYL SEALANTS ARE DEFORMABLE PLASTIC PRODUCTS. DO NOT USE FOR PERMANENT FIXINGS OR IN LOAD BEARING APPLICATIONS INSTEAD OF A MECHANICAL FIXING. BITUMEN AND BUTYL ADHESIVES ARE SENSITIVE TO SOLVENTS. THE USER SHOULD PREVIOUSLY CHECK THE COMPATIBILITY OF THE PRODUCT WITH THE SURFACE IN TERMS OF ADHESION, CHEMICAL COMPATIBILITY AND STANDING OVER THE APPLICATION TEMPERATURE RANGE. THE FIGURES SHOWN ON THIS PRODUCT LEAFLET CAN VARY WITHIN A TOLERANCE OF +/-5%. THE MANUFACTURER RESERVES THE RIGHT TO CHANGE PRODUCT CHARACTERISTICS AT ANY TIME WITHOUT PRIOR NOTICE.

* The product dimensions may vary within defined ranges because of the product characteristics and its manufacturing process. For further information please visit www.isoltemagroup.com